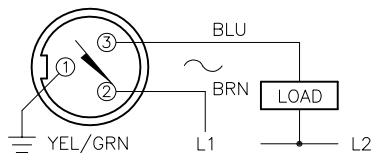
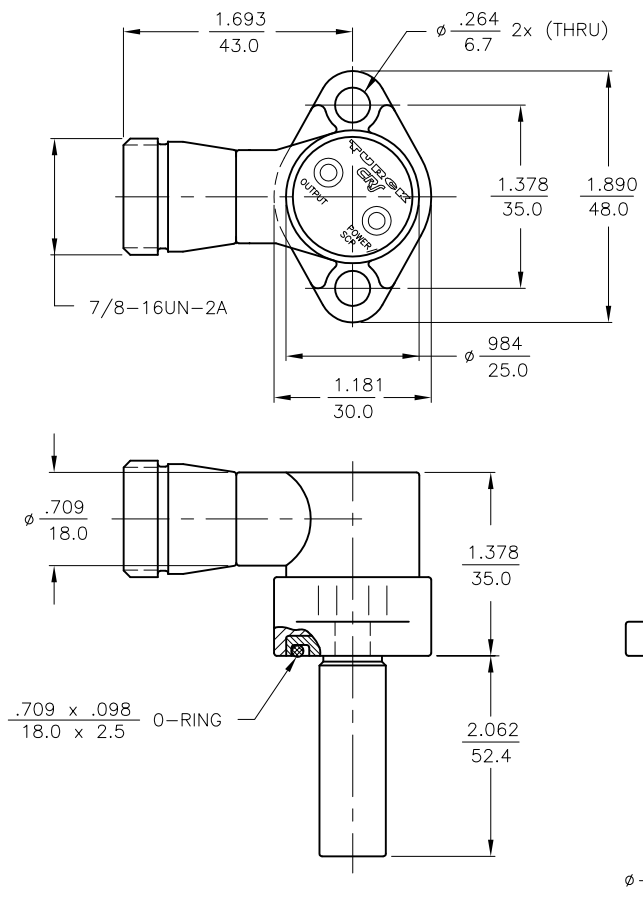


WIRING DIAGRAM



SHORT-CIRCUIT AND OVERLOAD PROTECTED



SPECIFICATIONS

OPERATING VOLTAGE	20-250 VAC/10-300 VDC
LINE FREQUENCY	≥ 50-≤ 60 Hz
HYSTERESIS (DIFFERENTIAL TRAVEL)	3-15% (5% TYPICAL)
VOLTAGE DROP ACROSS CONDUCTING SENSOR	≤ 6.0 V at 400 mA
OUTPUT FUNCTION	NORMALLY OPEN 2-WIRE AC/DC SELF-CONTAINED
SHORT-CIRCUIT PROTECTED	YES
TRIGGER CURRENT FOR OVERLOAD PROTECTION	≥ 500 mA
CONTINUOUS LOAD CURRENT	≤ 400mA AC/≤ 300mA DC
LEAKAGE (OFF-STATE) CURRENT	≤ 1.7 mA
MINIMUM LOAD CURRENT	≥ 3.0 mA
INRUSH CURRENT	≤ 3 A (≤ 20 ms/5Hz)
POWER-ON EFFECT PROTECTION	INCORPORATED
PROTECTION AGAINST TRANSIENTS	< 20 kV < 1 ms < 0.5 J
OPERATING TEMPERATURE	-25°C to +70°C (-13°F to +158°F)
ENCLOSURE	MEETS NEMA 1, 3, 4, 6, 13 AND IEC IP67
SHOCK	30 g, 11 ms
VIBRATION	10 Hz to 55 Hz, 1 mm AMPLITUDE (IN ALL 3 PLANES)
LED FUNCTION	GREEN: POWER ON GREEN FLASHING: SHORT-CIRCUIT OR OVERLOAD PROTECTION RED: OUTPUT ENERGIZED
SENSING RANGE	2 mm = .079" (NOMINAL)
SWITCHING FREQUENCY	20 Hz
REPEATABILITY	≤ 2%
OPERATING PRESSURE	1500 PSI (MAX. APPLIED 3000 PSI)
SHIELDED	YES
RESPONSE TIME	15 ms MAX.
COLOR CODE	RED

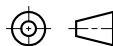
NOTES:

- 1 "/S34" DESIGNATES WELD FIELD IMMUNITY. SENSOR IS SUITABLE FOR USE ON RESISTANCE WELDING MACHINES.
2. ROTATION CAPABILITY OF THE CRS SWITCH IS 360°.

RELATED DOCUMENTS

- 1.
- 2.
- 3.
- 4.

3RD ANGLE PROJECTION



THIS DRAWING IS CONFIDENTIAL AND THE PROPERTY OF TURCK INC. USE OF THIS DOCUMENT WITHOUT WRITTEN PERMISSION IS PROHIBITED.

TURCK

3000 CAMPUS DRIVE
MINNEAPOLIS, MN 55441
1-800-544-7769
(763) 553-7300
(763) 553-0708 fax
www.turck.us

MATERIAL

FINISH

BLACK ZINC

ALL DIMENSIONS DISPLAYED ON THIS DRAWING ARE FOR REFERENCE ONLY

CONTACT TURCK FOR MORE INFORMATION

DRFT SMW DATE 12/10/86
APVD SCALE NONE

UNIT OF MEASUREMENT
INCH [MILLIMETER]

DO NOT SCALE THIS DRAWING

DESCRIPTION
B12-CRS524-ADZ30X2-B1131/S34

IDENTIFICATION NO.
4272093

REV
Z

FILE: 4272093

SHEET 1 OF 1

Z	UPDATE ID NUMBER PER HARMONIZATION PROJECT	CBM	02/20/18	
REV	DESCRIPTION	BY	DATE	ECO NO.